

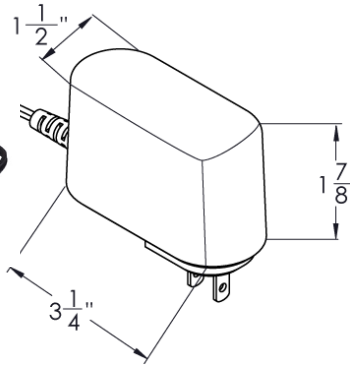


# Sempria® Supporting Products

## Installation Components



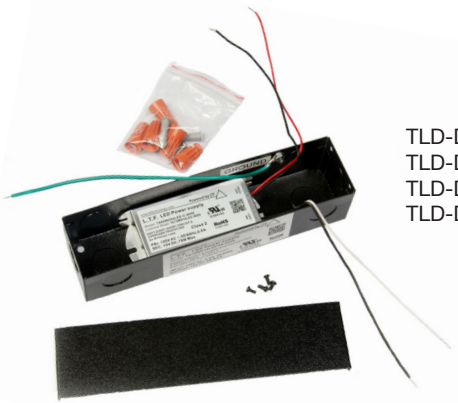
TLD-24WSI



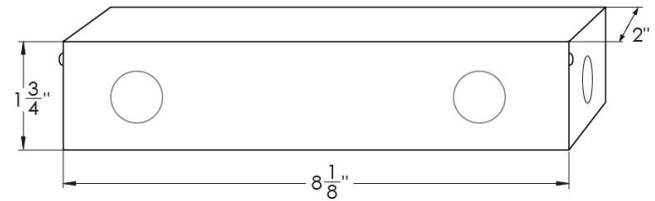
### POWER SUPPLIES

PART NUMBER	DESCRIPTION	DIMENSIONS
TLD-24WSI	24W plug-in 15V DC	3 1/4" L x 1 1/2" W x 1 7/8" H
TLD-D30WSO	30W hardwire 15V DC	8 1/8" L x 2" W x 1 3/4" H
TLD-D45WSO	45W hardwire 15V DC	8 1/8" L x 2" W x 1 3/4" H
TLD-D60WSO	60W hardwire 15V DC	8 1/8" L x 2" W x 1 3/4" H
TLD-D75WSO	75W hardwire 15V DC	8 1/8" L x 2" W x 1 3/4" H

- Constant Voltage
- Short circuit, over-load, voltage, and temperature protection
- High reliability, high efficiency
- UL listed Class 2 power supply



TLD-D30WSO  
TLD-D45WSO  
TLD-D60WSO  
TLD-D75WSO



### INSTALLATION COMPONENTS

PART NUMBER	DESCRIPTION
SP-20FT-18/2	20 foot spool of 18/2 awg solid wire
SP-50FT-18/2	50 foot spool of 18/2 awg solid wire

- Use for hardwire driver installation
- 18/2 Solid Wire
- Low voltage for easy installation



DVELV-300P  
DVELV-303P



MAELV-600-Color



MA-R-Color

### DIMMING OPTIONS

PART NUMBER	DESCRIPTION
DVELV-300P	Diva slide dimmer
DVELV-303P	Diva Slide Dimmer 3-way
MAELV-600-Color	Maestro electric smart dimmer
MA-R-Color	Preset smart remote-incandescent (for multiple switching)

