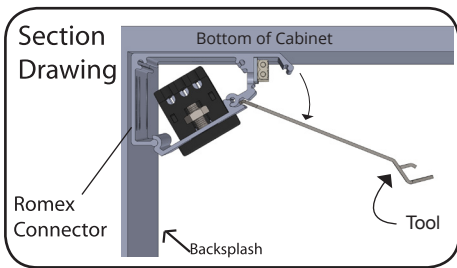
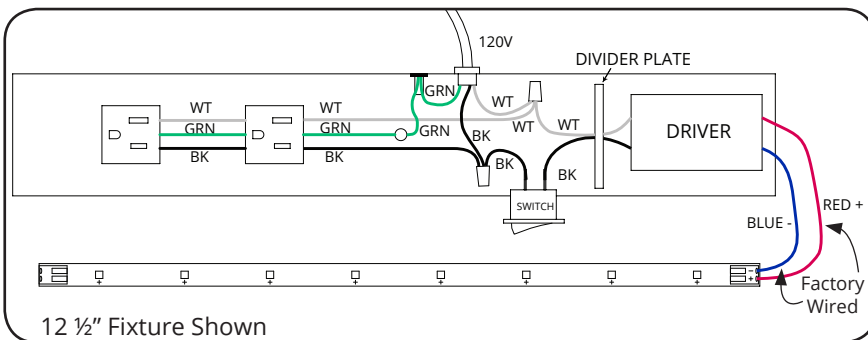
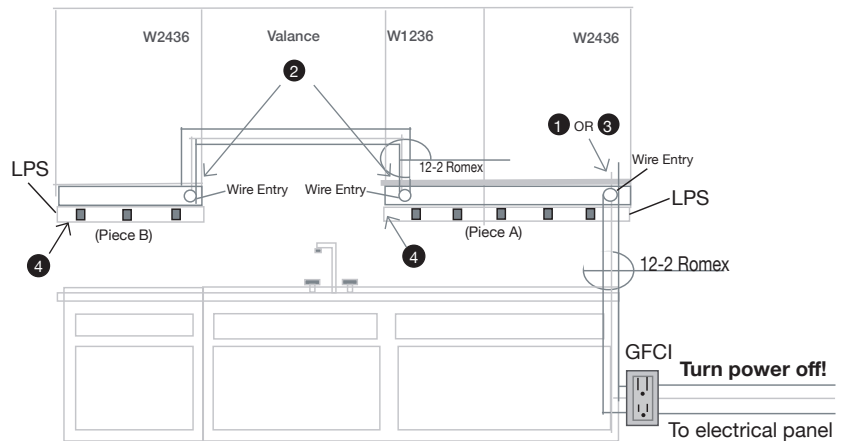


### General Guidelines

- Power source **MUST** be a 20 amp branch circuit protected by a GFCI at the panel or GFCI prior to the connection at LPS.
- All wiring must meet NEC® and local codes. The Lighted Power Strip (LPS) must be installed by a licensed electrician.
- Use knockout holes for 120V wire entrance. Use listed Romex connectors provided for 120V electrical connections.
- Use tool provided to **carefully** pry open for wiring (using other devices may damage the metal cover).
- Field cutting voids warranty.
- Light valance recommended.
- Firmly insert plug straight into receptacle, applying equal pressure to both blades at the same time. **Gently** rock plug, if needed.



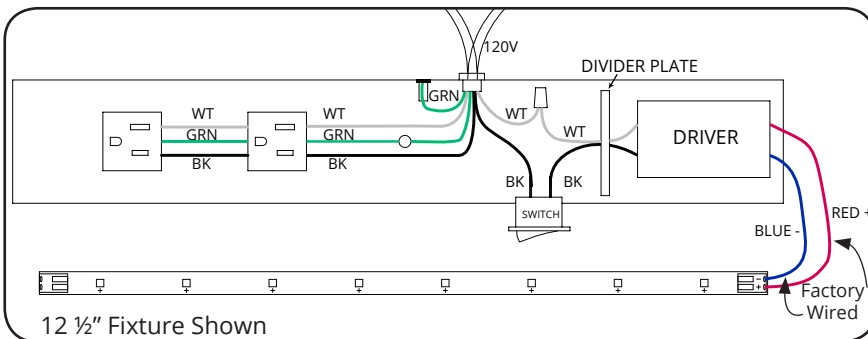
Turn power off at panel. **Carefully** pry open each piece with tool (provided). Insert Romex connector into knockout hole inside of back frame. Pull wires into LPS.



### 1 Wiring for One Circuit

Secure LPS to wall by screwing into wall studs or use anchors provided. Connect **Black** Romex wire to **Black** wire from receptacles and switch. Connect **White** Romex wire to **White** wire from receptacles and driver. Ground all **Green** wires to PEM studs inside of back frame.

- 2 When connecting two LPS, run Romex from fixture to fixture. Ground each section to the next.
- 3 To terminate last LPS, use wire nuts on ends of wires.
- 4 Snap cover in place and turn power on.



### 1 Wiring for Two Circuit

Secure LPS to wall by screwing into wall studs or use anchors provided. If running two circuits, one for receptacles, one for lighting, connect proper wires to appropriate Romex wires. **Black to Black**. **White to White**. Ground all **Green** wires to PEM studs inside of back frame. When connecting two LPS, run Romex from fixture to fixture. Ground each section to the next.

- 2 When connecting two LPS, run Romex from fixture to fixture. Ground each section to the next.
- 3 To terminate last LPS, use wire nuts on ends of wires.
- 4 Snap cover in place and turn power on.

## Sempria® Lighted Power Strip

Wiring diagrams - 18 1/2" Fixture Shown

